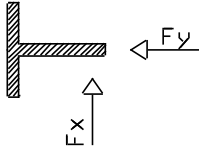
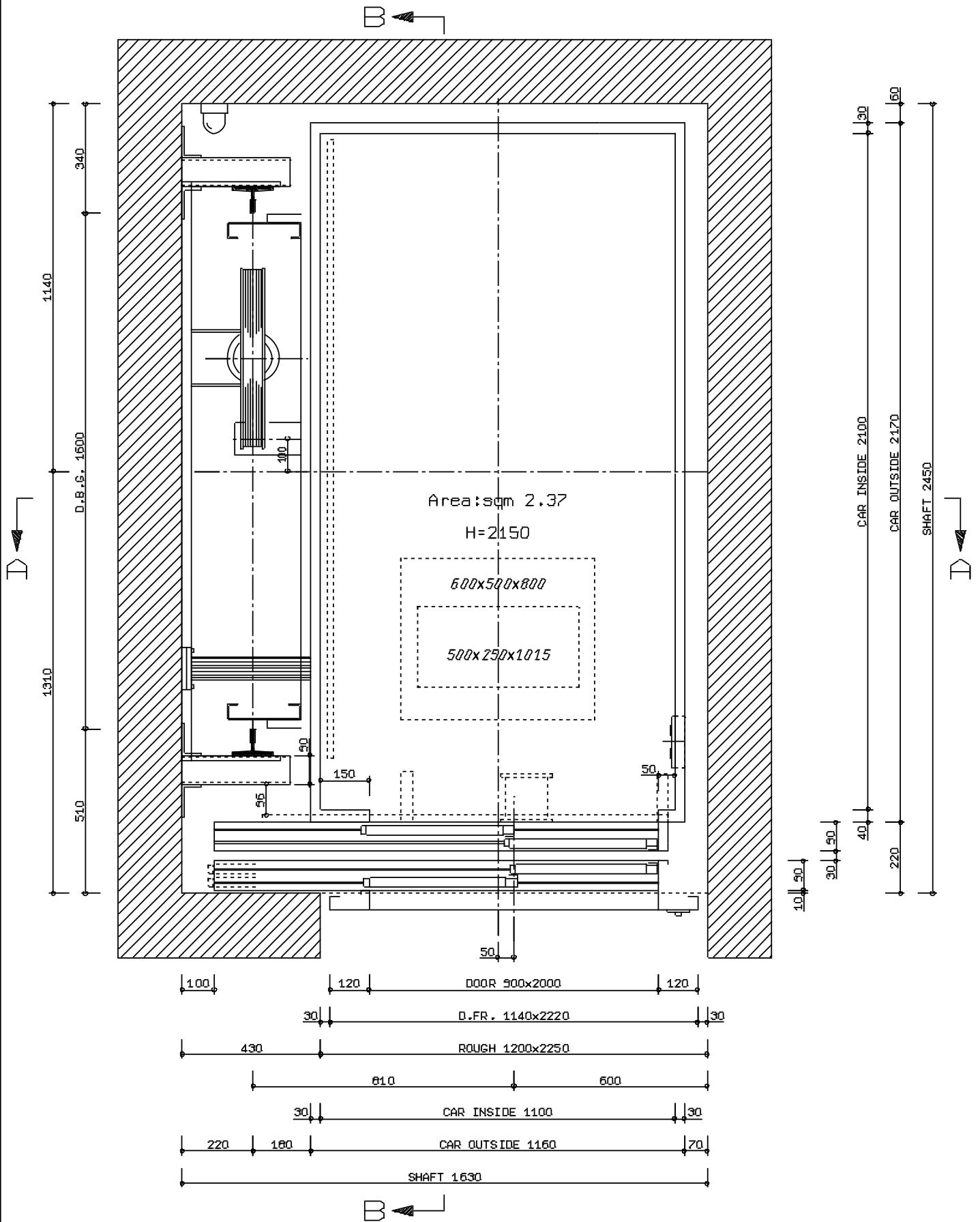
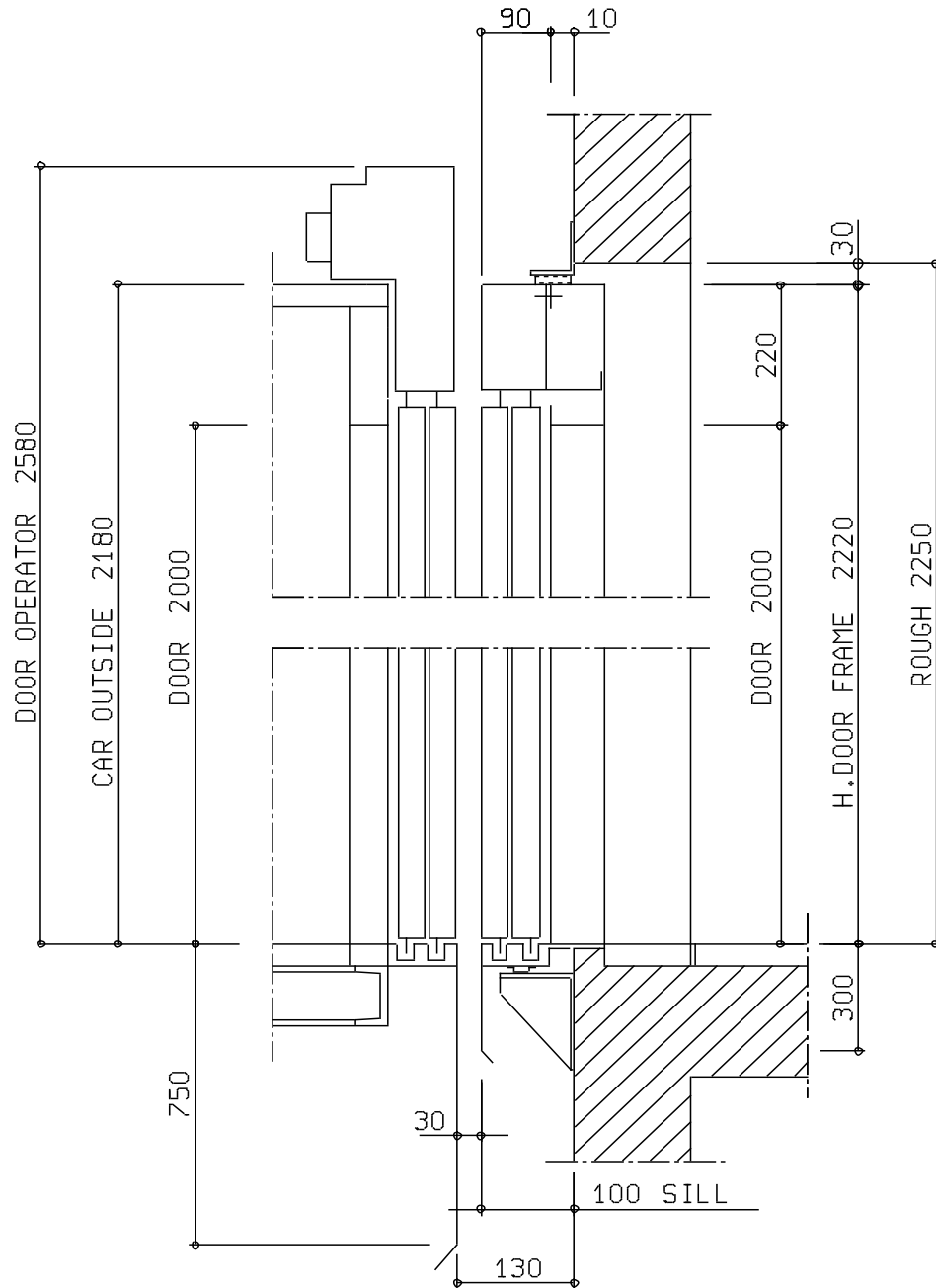


TECHNICAL DATA CARATTERISTICHE IMPIANTO		LOAD ANALYSIS CARICHI Kg		Kg	N
HYDRAULIC LIFT ELEVATORE IDRAULICO	95/16/CE	CAR CABINA	539 x 2	1078 +	
LOAD PORTATA Kg.	1000	LOAD PORTATA	1000 x 2	2000 +	
PASSENGERS CAPIENZA persone	13	CAR SLING ARCATA	330 x 2	660 +	
SPEED VELOCITA' m/sec.	0.60/0.10	DOOR OPERATOR OPERATORE	90 x 2	180 +	
STOPS FERMATE n°	4	ROPES FUNI		37 =	
ENTRANCES SERVIZI n°	4	TOTAL LOAD CARICO TOTALE		3955	38798 +
CAR GUIDE-RAILS GUIDE CABINA	125x82x16-T	RAM + DEVICES STELO + ACCESSORI		179	1757 =
BRACKETS FOR CAR GUIDE-RAILS STAFFE n°	11 + 11	LOAD ON RAM CARICHI SOMM.PISTONE			40556 x
MAX DISTANCE BETWEEN BRACKETS Distanza MAX STAFFE m.	1.5	DYNAMIC FACTOR COEFF.INCR.DINAMICO			1.5 =
CAR SLING ARCATA	TIPO 35	DYNAMIC LOADS CARICHI DINAMICI			60834 +
ROPES : Nr - DIAMETER FUNI : NUMERO - DIAMETRO	4-13 114 FILI A.T.	FIXED LOADS CARICHI FISSI		325	3195 =
ROPE LENGTH EACH LUNGHEZZA FUNI cad. m.	21	TOTAL TOTALE	(R1)		64029
PULLEY DIAM. PULEGGIA DIAMETRO mm.	550		(R2)		39710
BUFFERS AMMORTIZZATORI 2 cad.	F		(R3)		31486
RAM STELO 1 piece mm.	120x5x5900	NOTES NOTE			
MAX. PRESSURE MAX. PRESSIONE MPa.	3.640	DATA	DESCRIZIONE	INDICE	CONTROLLO
POWER UNIT : FLOW CENTRALINA L/min.	210-F2M				
OIL OLIO NECESSARIO LT.	220				
MOTOR POTENZA RESA MOTORE Kw.	18.38				
POWER SUPPLY TENSIONE FORZA MOTRICE V.	400 - 50 Hz				
LIGHT LUCE V.	230				
OPERATION MANOVRA Vca.	110	CUSTOMER : .. UBIC.(ADDRESS): .. UBIC.(CITY) : POLAND			
MOTOR RPM GIRI/MINUTO	2800	ELEVATOR NUMBER NUMERO IMPIANTO 06412B		DRWG. NUMBER COMMESSA-DISEGNO 375L12	
MOTOR POLES POLI n°	2	<div style="text-align: center;"> <h1>ELEVATOR</h1> <p>Equipment Sp.z o.o</p> </div>			
FORCES DURING ACTION OF SAFETY GEAR					
Fy 3772N	Fx 8041N				
FORCES FOR SHAFT WALL CALCULATION					
Fy 3800N	Fx 8100N	<div style="display: flex; justify-content: space-between;"> <div style="text-align: center;">  </div> </div>			
		PREPARED BY DISEGNATO	DATE DATA	CHECKED BY CONTROLLATO	DATE DATA
		G.R.	18/07/12		

SHAFT AND CAR PLAN Scale 1/10



SILLFLOOR

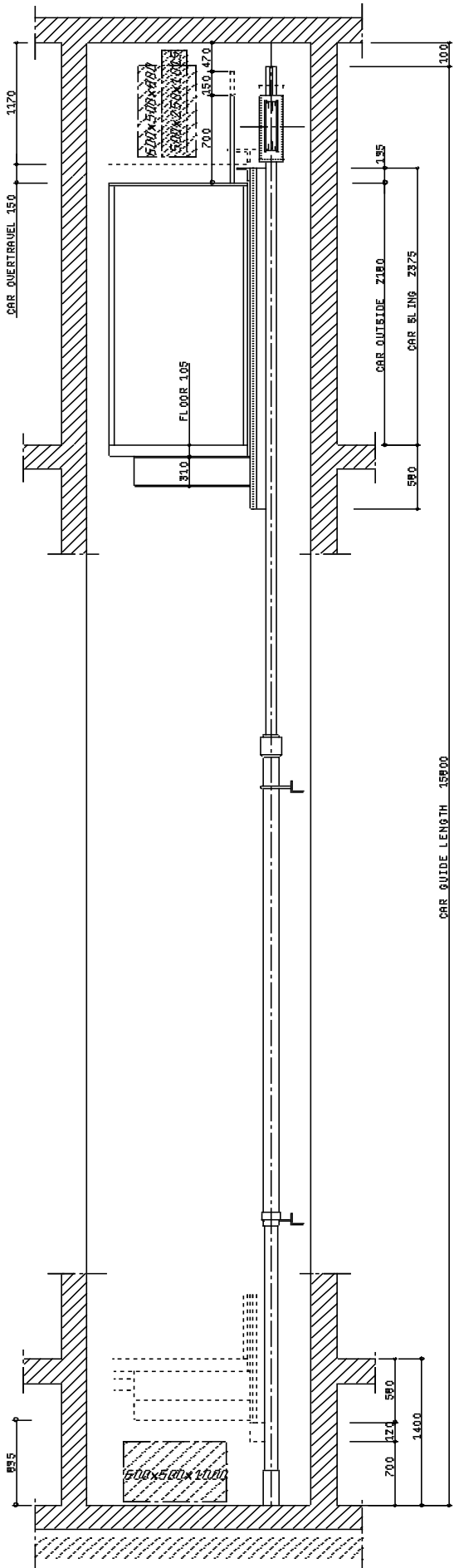


THE DIMENSIONS OF THE OPENING MUST BE GUARANTEED TO WITHIN A TOLERANCE OF ± 1 cm AND THE WALLS MUST BE PERFECTLY PLUMB.

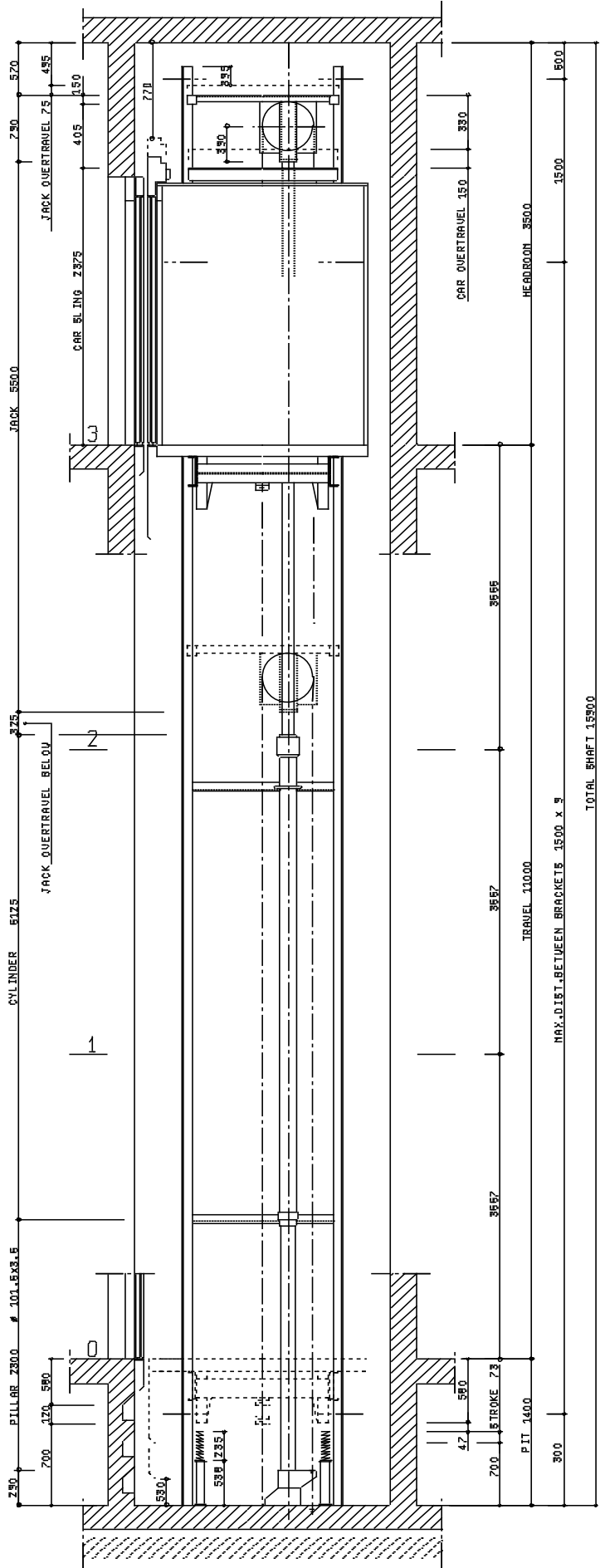
THIS DRAWING IS BASED ON THE DATA WE HAVE AND HAS BEEN USED TO CALCULATE THE TECHNICAL SPECIFICATIONS FOR THE PRODUCTS, THEREFORE ANY MODIFICATION REGARDING CONSTRUCTION OF THE PRODUCTS WILL RESULT IN RE-SCHEDULING OF THE SUPPLY.

DO NOT CALCULATE MEASUREMENTS ON THE BASIS OF THE SCALE DRAWING. ONLY USE THE DIMENSIONS INDICATED.

SECTION A-A



SECTION B-B



SOLID GROUND

SOLID GROUND